

INOX | Blast Chillers

BLAST CHILLER



RF 10



-
-
-
-
-
-
-

DETAILS



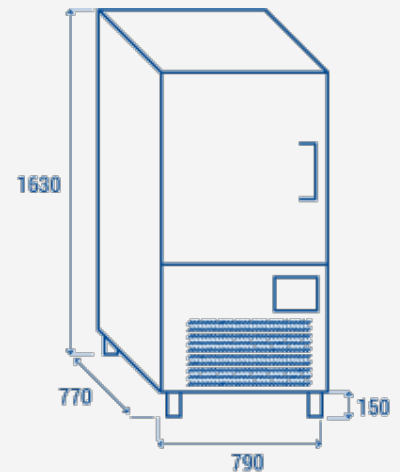
GENERAL FEATURES

- GNI/1 and EURONORM 600x400mm Upright Blast chiller
- Surface easy to clean (Anti-fing printing)
- Ventilated Cooling with Manual defrost
- Evaporator with anti-corrosion treatment
- Foaming Agent Cyclopentane (70mm per side - CFC Free)
- Digital Thermostat with Buzzer alarm
- Error message directly in the display
- Chilling chamber is AISI 304 steel type
- Door microswitch for stop inner fan with open door
- Separated water tray for collect condensation
- Reversible door
- Core probe fitted as standard
- H.A.C.C.P. Traceability comply
- USB Port for download data and 5 languages display info
- N.4 Adjustable stainless steel feet
- Energy efficiency class: -

TECHNICAL SPECIFICATIONS

External Dimensions (WxDxH mm)	790x770x1630
Internal Dimensions (WxDxH mm)	670x420x780
Noise level	66 dB(A)
Consumption	N/A kWh/24h
Capacity	0
Rated Power	900 W
Net Weight	181 Kg
Temperature	+10°C ~ -40°C
Gross Weight	195 Kg
Packaging dimensions (WxDxH mm)	830x860x1780
Loading quantities 20'/40'/40'HQ	14/28/28

PRODUCT DIMENSIONS



CERTIFICATION

CE RoHS

